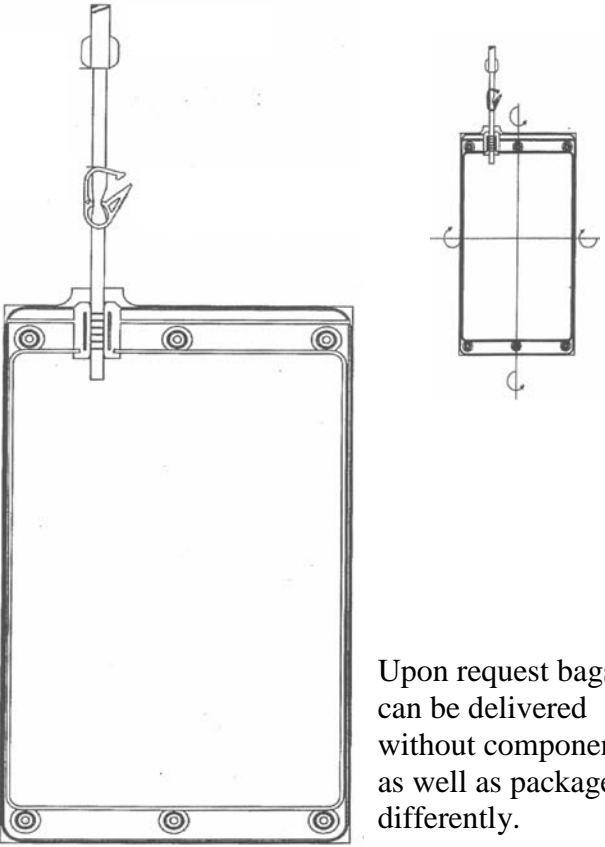
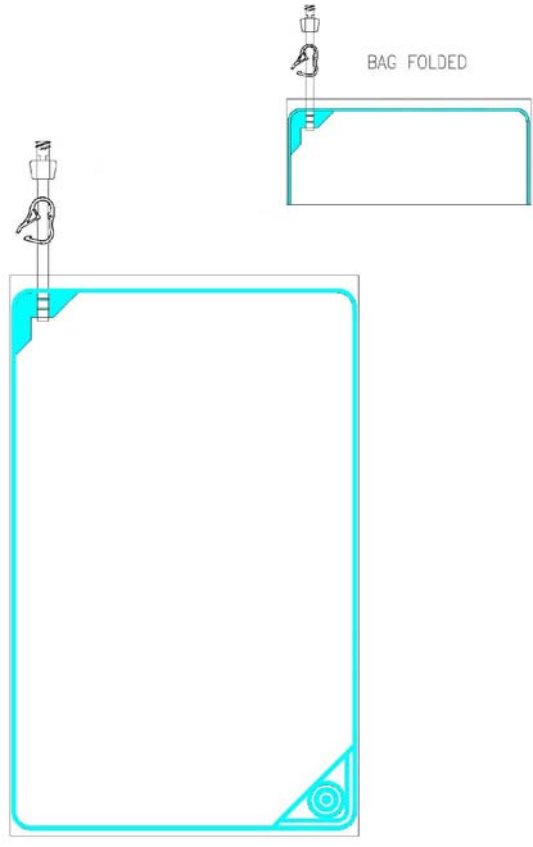


PVC DRAINAGE BAGS, 2.000 ml

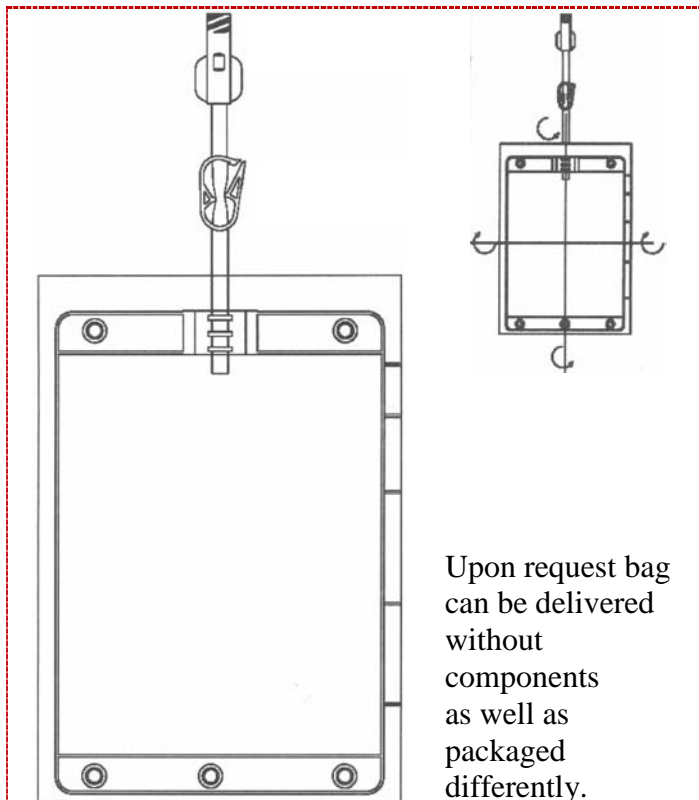
 <p style="text-align: center;">Upon request bags can be delivered without components, as well as packaged differently.</p>	
PVC bag, volume 2000 ml height 310 mm, width 170 mm	PVC bag, volume 2000 ml height 296 mm, width 184 mm
FLL connector 5.5	FLL connector 5.5
PVC tube 3.5 x 5.5 mm, 150 mm	PVC tube 3.5 x 5.5 mm, 85 mm
Clamp	Clamp
250 folded bags/box 40 boxes/EURpallet 10.000 bags/pallet	500 folded bags/box 48 boxes/EURpallet 24.000 bags/pallet



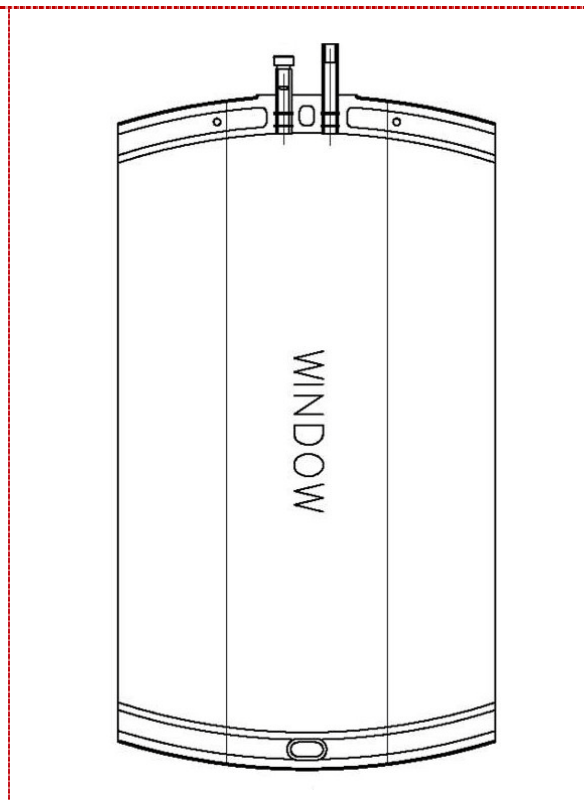
BIOIKS d.o.o.

DRAINAGE BAGS CATALOGUE

PVC DRAINAGE BAGS, 3.000 ml



Upon request bag can be delivered without components as well as packaged differently.



PVC bag, volume 3000 ml height 313 mm, width 215 mm	PVC bag for peritoneal dialysis, volume 3000 ml height 360 mm, width 210 mm
FLL connector 5.5	Injection port 6.6 mm
PVC tube 3.5 x 5.5 mm, 150 mm	PVC tube 6.5 x 8.7 mm
Clamp	window width 80 mm
180 folded bags/box 56 boxes/EURpallet 10.080 bags/pallet	100 bags/box 24 boxes/EURpallet 2.400 bags/pallet



**Biomedical production
with the finest quality**



BIOIKS d.o.o.

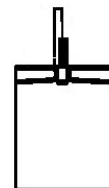
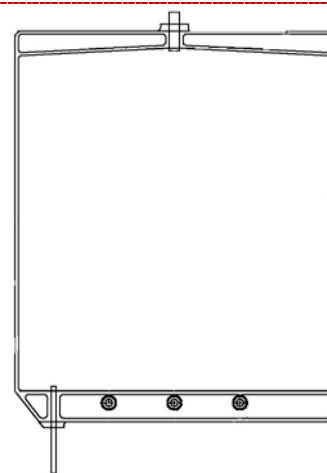
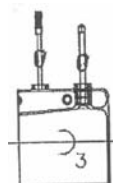
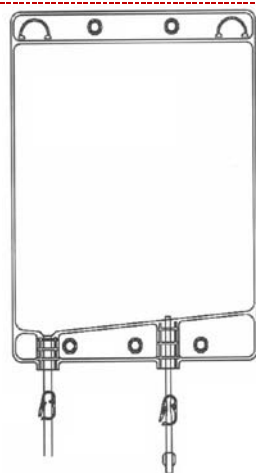
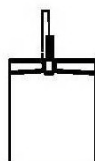
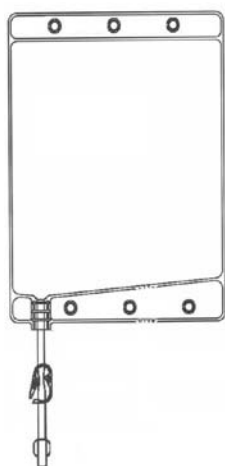
Stegne 11, 1521 Ljubljana Slovenia
Tel.: +386 1 5133 770; fax.: 00386 1 5133 771
iztok.sorli@bioiks.si; www.bioiks.si



BIOIKS d.o.o.

DRAINAGE BAGS CATALOGUE

PVC DRAINAGE BAGS, 5.000 ml



PVC bag, volume 5.000 ml height 400 mm, width 285 mm	PVC bag, volume 5.000 ml height 400 mm, width 285 mm	PVC bag, volume 5.000 ml height 317 mm, width 350 mm
PVC Tube 3.5 x 5.5 mm	1x PVC tube 3.5 x 5.5 mm 1x PVC tube 7 x 10 mm	1x PVC tube 3.5 x 5.5 mm 1x PVC tube 8 x 12 mm
clamp	2x clamp	
FLL connector 5.5	FLL connector 5.5	
200 bags/box 28 boxes/EURpallet 5.600 bags/pallet	200 bags/box 28 boxes/EURpallet 5.600 bags/pallet	50 bags/box 40 boxes/EURpallet 2.000 bags/pallet

UPON REQUEST BAGS CAN BE DELIVERED WITHOUT COMPONENTS,
AS WELL AS PACKAGED DIFFERENTLY.



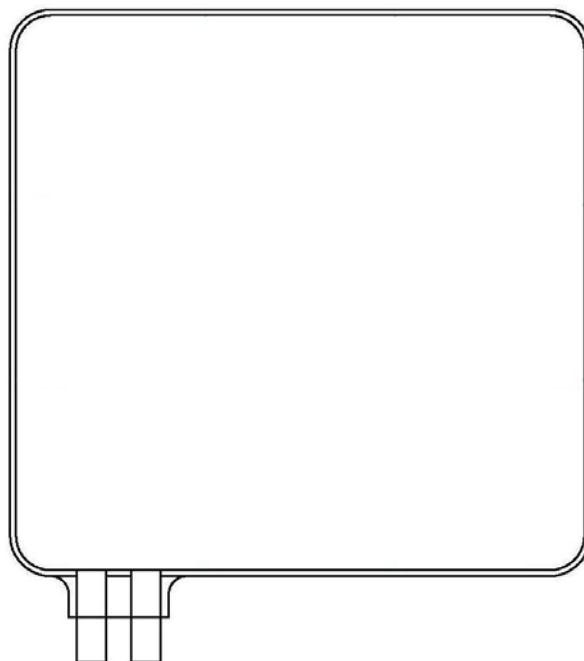
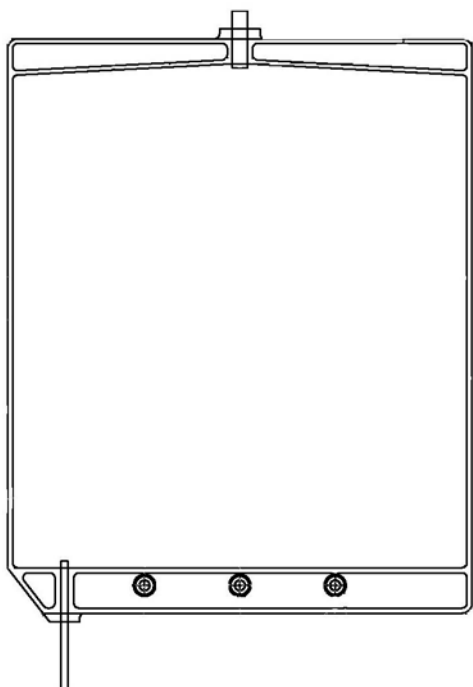
**Biomedical production
with the finest quality**



BIOIKS d.o.o.

Stegne 11, 1521 Ljubljana Slovenia
Tel.: +386 1 5133 770; fax.: 00386 1 5133 771
iztok.sorli@bioiks.si; www.bioiks.si

PVC DRAINAGE BAGS, 9.000 ml-10.000ml



**PVC bag, volume 9.000 ml
height 456 mm, width 370 mm**

**PVC bag, volume 10.000 ml
height 405 mm, width 396 mm**

**1x PVC tube 3.5 x 5.5 mm, 60 mm
1x PVC tube 8 x 12 mm, 22 mm**

2x PVC tube 7.3 x 9.3 mm, 30 mm

**50 folded bags/box
40 boxes/EUR pallet
2.000 bags/pallet**

**100 folded bags/box
48 boxes/EUR pallet
4.800 bags/pallet**